

LEDBLOCK G3 HARD-WIRED HID RETROFIT KIT



WARRANTY



VOLTAGE EXTERNAL DRIVER (*HV OPTIONS AVAILABLE)



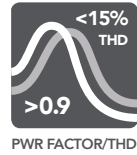
10V DIM



EFFICACY



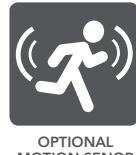
OPERATING TEMP



PWR FACTOR/THD



CRI

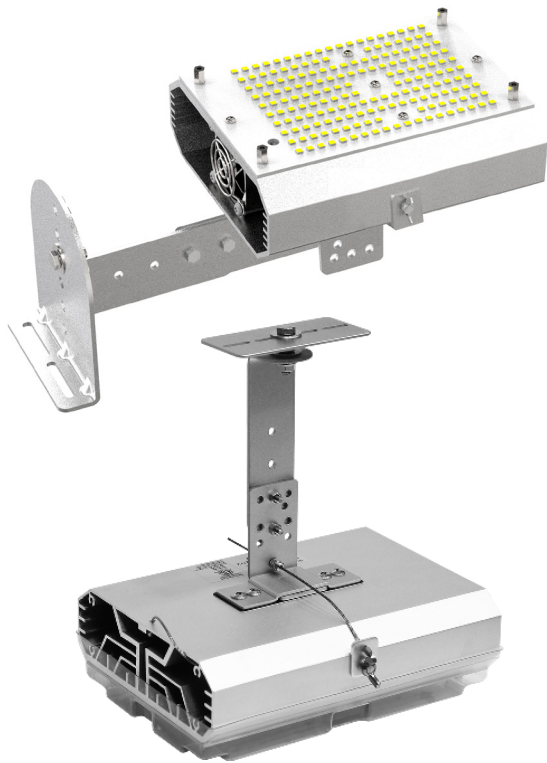


OPTIONAL MOTION SENSOR



RATED LIFE

extremely flexible hard-wired retrofit kit for HID fixtures



- Up to 270W to replace 1000W HID
- Patented extruded aluminum design that replaces HID, HPS, or MH lamps
- Advanced cooling and circuit design to prevent from overheating
- Perfect for wall pack, flood light, shoe box, canopy and circular high bay fixtures
- Newly designed mounting bracket allows for quick & virtually unlimited mounting options
- Now with 0-10V dimmable driver for even more versatile applications

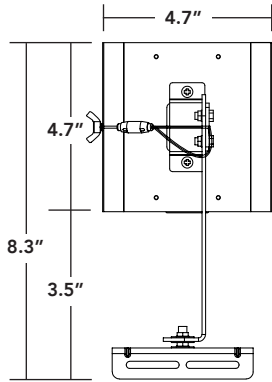
PART #	REPLACES	W	CCT	LUMENS
RPT-LEDBLOCK-65L-750-10VDIM-G3	UP TO 150W	30	5000K	5100
RPT-LEDBLOCK-100L-750-10VDIM-G3	UP TO 175W	52	5000K	8850
RPT-LEDBLOCK-150L-750-10VDIM-G3	UP TO 250W	97	5000K	15700
RPT-LEDBLOCK-200L-750-10VDIM-G3	UP TO 400W	124	5000K	20000
RPT-LEDBLOCK-300L-750-10VDIM-G3	UP TO 600W	150	5000K	24000
RPT-LEDBLOCK-400L-750-10VDIM-G3	UP TO 1000W	270	5000K	43000

*See page 2 for additional styles, lumen packages, color temperatures and options.

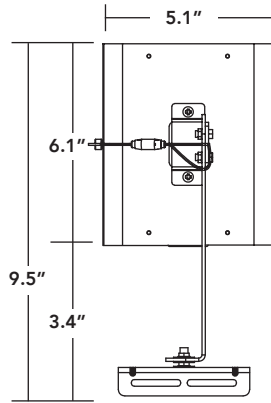


LEDBLOCK G3 HIGH POWER LED RETROFIT MODULE

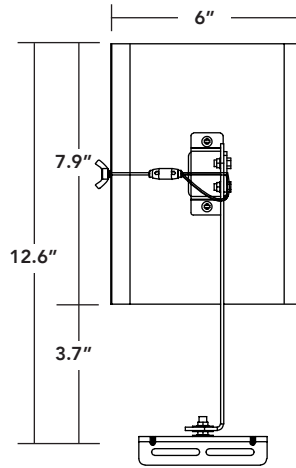
RPT-LEDBLOCK-65L/ RPT-LEDBLOCK-100L



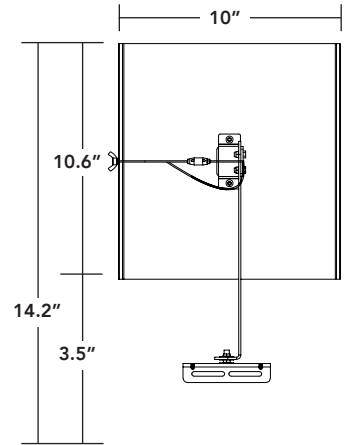
RPT-LEDBLOCK-150L/ RPT-LEDBLOCK-200L



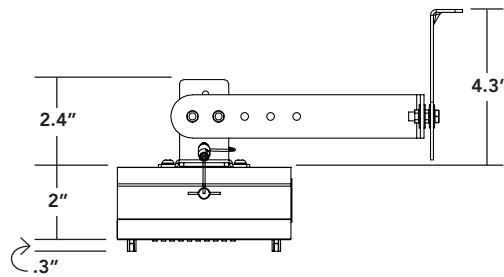
RPT-LEDBLOCK-300L



RPT-LEDBLOCK-400L



MOUNTING BRACKET



ORDERING GUIDE

PART #	UPC	REPLACES	WATTAGE	LUMENS	CCT (K)	DIMENSIONS	DLC PRODUCT CODE
RPT-LEDBLOCK-65L-750-10VDIM-G3	844006082956	UP TO 150W	30W	5100	5000K	4.7" X 4.7"	PE2MT4BH
RPT-LEDBLOCK-100L-750-10VDIM-G3	844006082963	UP TO 175W	52W	8850	5000K	4.7" X 4.7"	PTSZXEK8
RPT-LEDBLOCK-150L-750-10VDIM-G3	844006082970	UP TO 250W	97W	15700	5000K	5.1" X 6.1"	PX8R1R29
RPT-LEDBLOCK-200L-750-10VDIM-G3	844006080495	UP TO 400W	124W	20000	5000K	5.1" X 6.1"	PTCFWT9T
RPT-LEDBLOCK-300L-750-10VDIM-G3	844006080648	UP TO 600W	150W	24000	5000K	7.9" X 5.9"	PSRAD88V
RPT-LEDBLOCK-400L-750-10VDIM-G3	844006080488	UP TO 1000W	270W	43000	5000K	10.6" X 10"	PGS2ACU2

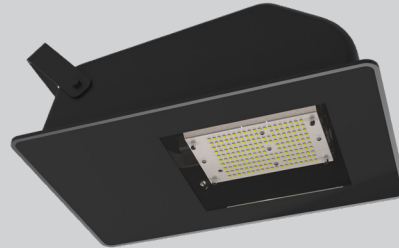
LEDBLOCK G3 HIGH POWER LED RETROFIT MODULE



EASILY RETROFIT THESE FIXTURE STYLES, AND MORE!



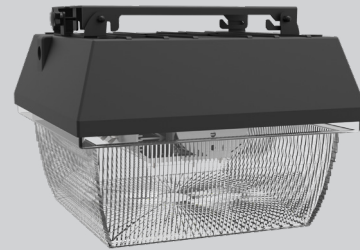
WALL PACK



FLOOD LIGHT

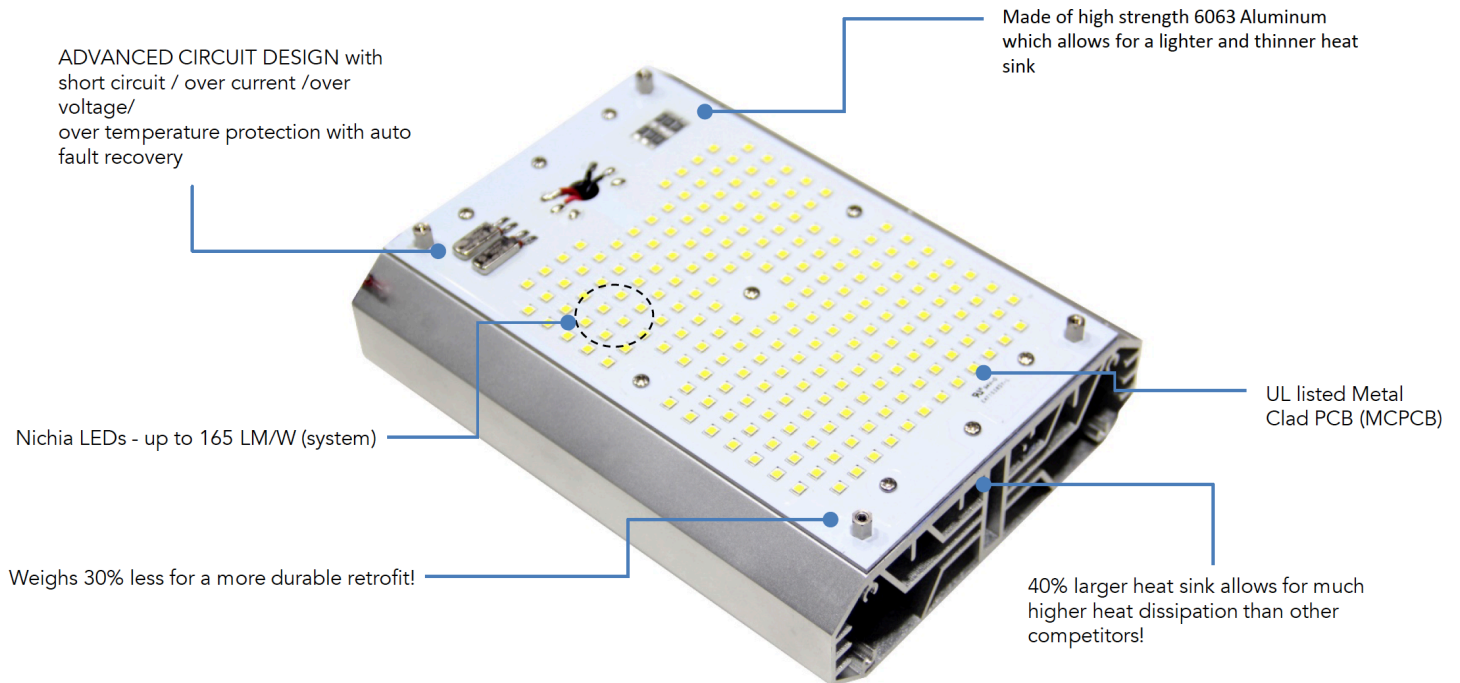


SHOE BOX

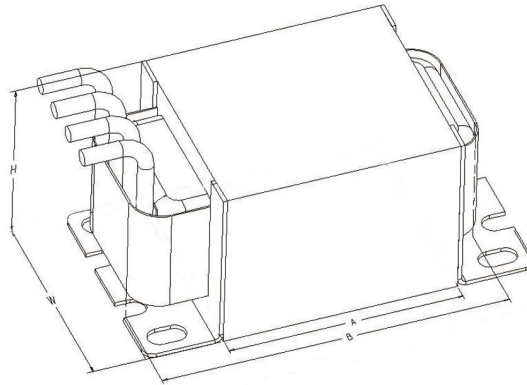
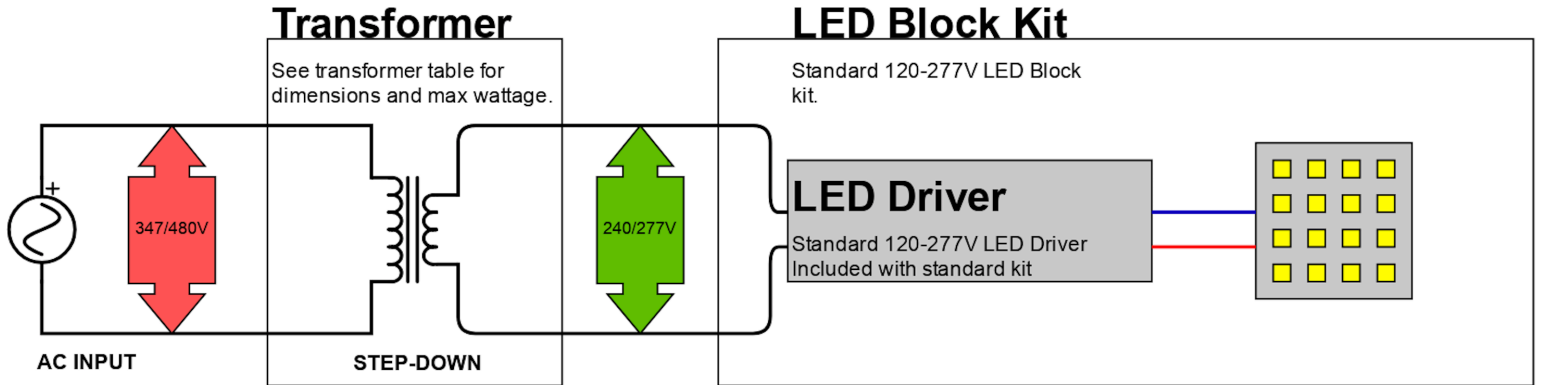


CANOPY

UNIQUE FEATURES



LEDBLOCK G3 HIGH POWER LED RETROFIT MODULE



	Transformer Part Number	Max Load (VA)	Input Voltage	Output Voltage	Full Load			Case Dimensions (in)				Net Wt. (lbs)
					Eff. (%)	THD(%)	PF	W	H	A	B	
RPT-LEDBLOCK-65L-...	MTM00506224C	50	480/347	240	90/92	6.2/6.7	0.98/0.97	1.65	1.34	1.77	2.80	1.1
RPT-LEDBLOCK-100L-...	MTM01606227C	160	480/347	277	92/94	4.3/4.1	0.99/0.99	1.93	1.61	3.07	4.13	2.4
RPT-LEDBLOCK-150L-...												
RPT-LEDBLOCK-200L-...												
RPT-LEDBLOCK-300L-...	MTM04506227C	450	480/347	277	93/94	3.4/3.8	0.99/0.99	2.64	2.20	3.00	4.25	4.6
RPT-LEDBLOCK-400L-...												

Use step down transformer with standard 120-277V LED Block. Transformers can also be used with 120-277V sensors, connect sensor relay to low voltage side of transformer.

**If high voltage (347-480V) driver must be used please contact sales to review availability and lead time.

LEDBLOCK G3 HIGH POWER LED RETROFIT MODULE



Microwave Motion Sensor

MC054V RC & MH01

Remote Control Microwave Sensor / Dimming Function



MC054V RC C



Introduction

- Sensor parameters can be conveniently set by a remote control.
- Mounting height up to 15m max. , suitable for warehouse use.
- Water proof sensor with IP65 rating.
- Automatic dimming when used in combination with 0-10V dimmable control gears.
- Built-in adjustable daylight sensor.
- 0-10V interface can match up with Merrytek stand-alone daylight sensor MS01 and achieve daylight harvesting.

The MC054V RC sensor is innovative and active motion detectors with HF system 5.8GHz. Motion can be detected through plastic, glass and thin non-metal materials.

The sensors allow energy saving without compromising comfort. When used in combination with 0-10V dimmable LED drivers or ballasts, they can achieve 3-step dimming function, which is perfect for use in some areas that requires a light change notice before totally switch off.

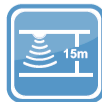
Also, the infrared remote controller design makes the customer to adjust the parameters of the sensors easily.



Max.8M



Hold Time
5s-30min



Mounting Height
15m Max.



Automatic
Dimming



5 Years
Guarantee

LEDBLOCK G3 HIGH POWER LED RETROFIT MODULE

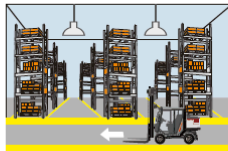


Microwave Motion Sensor

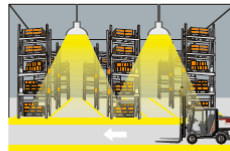
Dimming Function

3-step dimming function

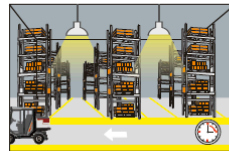
When used in combination with 0-10V dimmable LED drivers and ballasts, the sensors can achieve 3-step dimming function, 100%---> low light--->off. And the sensors build in adjustable daylight sensors, very easy to install and cost-effective.



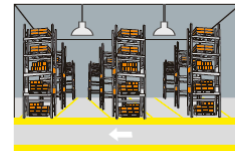
With sufficient ambient light, the sensor does not switch on the lamp.



With insufficient ambient light, the sensor switches on the lamp when motion is detected.

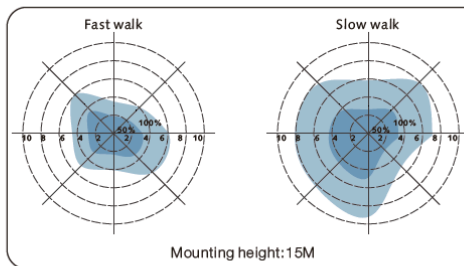
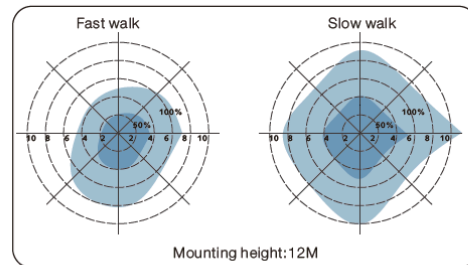
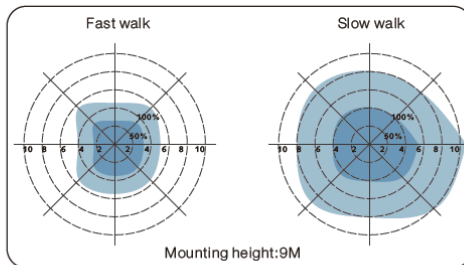
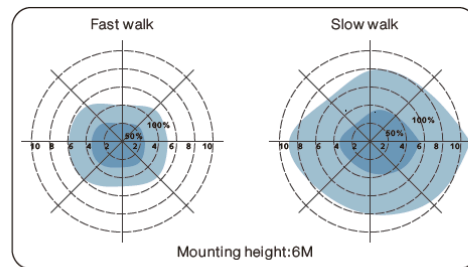
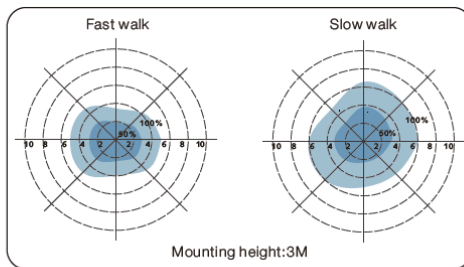


After hold time, the sensor dims the lamp at a low light level if no new motion trigger.



After stand-by period, the sensor switches off the lamp if no motion is detected in its detection zone.

Detection Pattern



LEDBLOCK G3 HIGH POWER LED RETROFIT MODULE



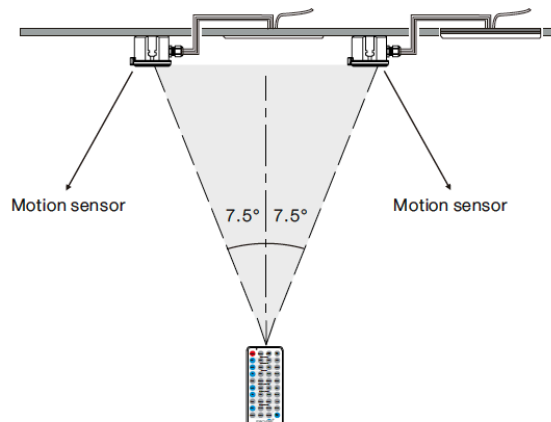
Microwave Motion Sensor

Settings (Remote Control MH01)

Button	Remarks																														
	Press the "ON/OFF" button, the light goes to constant on or constant off mode, sensor is disabled. Press "Reset" or "Auto Mode" button to quit from this mode.																														
	Press "Reset" button, all parameters are same as setting of DIP switch.																														
	Press "Auto Mode" button, the sensor starts to work and all parameter setting will be remained the same as the previous status before the light was switched on/off.																														
	Press "DIM Test" button to test dimming function. Sensor will dim automatically and return to normal work mode.																														
	The button "Test(2s)" is for factory testing purpose only. The sensor will go to test mode, Detection sensitivity: 100% Hold time: 2sec stand-by dim level:10% Stand-by period: 0s Daylight sensor: Disable Test mode can be quit by pressing any button.																														
	<table border="1"> <thead> <tr> <th>scene Options</th> <th>Detection Area</th> <th>Hold Time</th> <th>Stand-by period</th> <th>Stand-by dim level</th> <th>Daylight Sensor</th> </tr> </thead> <tbody> <tr> <td>QS1</td> <td>100%</td> <td>30s</td> <td>1min</td> <td>10%</td> <td>5Lux</td> </tr> <tr> <td>QS2</td> <td>100%</td> <td>1min</td> <td>3min</td> <td>10%</td> <td>10Lux</td> </tr> <tr> <td>QS3</td> <td>100%</td> <td>5min</td> <td>10min</td> <td>10%</td> <td>30Lux</td> </tr> <tr> <td>QS4</td> <td>100%</td> <td>10min</td> <td>30min</td> <td>10%</td> <td>Disable</td> </tr> </tbody> </table> <p>Note: Detection area / Hold time / Stand-by period / Stand-by dim level / Daylight sensor can be adjust by pressing corresponding button. The latest setting stays in validity.</p>	scene Options	Detection Area	Hold Time	Stand-by period	Stand-by dim level	Daylight Sensor	QS1	100%	30s	1min	10%	5Lux	QS2	100%	1min	3min	10%	10Lux	QS3	100%	5min	10min	10%	30Lux	QS4	100%	10min	30min	10%	Disable
scene Options	Detection Area	Hold Time	Stand-by period	Stand-by dim level	Daylight Sensor																										
QS1	100%	30s	1min	10%	5Lux																										
QS2	100%	1min	3min	10%	10Lux																										
QS3	100%	5min	10min	10%	30Lux																										
QS4	100%	10min	30min	10%	Disable																										

As the control angle of the Infrared Remote Control is fixed (15°), if sensors are installed too close to each other, settings of both sensors will be configured. Please refer to the below chart for the distance of the installation of the sensor:

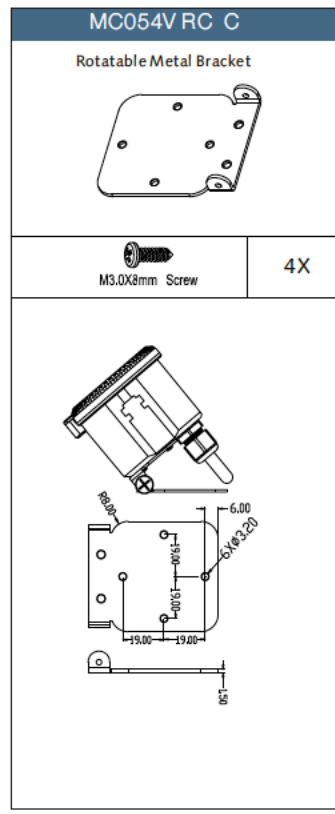
Mounting height	Distance between sensors
15m	4m
12m	3.4m
9m	2.4m
6m	1.6m
3m	0.8m



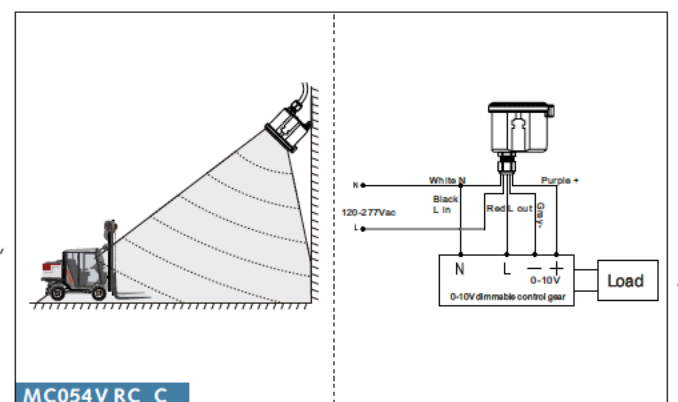
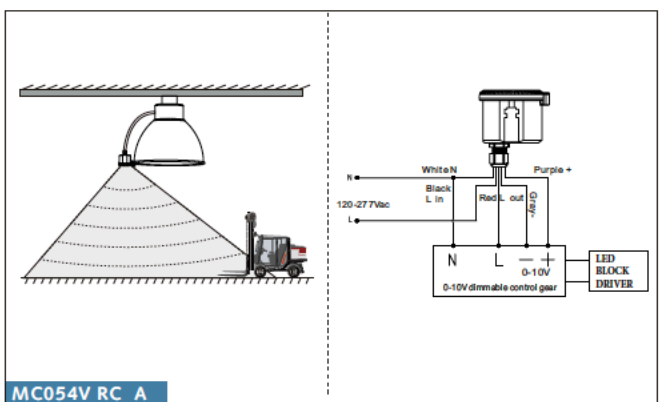
LEDBLOCK G3 HIGH POWER LED RETROFIT MODULE



Microwave Motion Sensor



Wiring scheme



LEDBLOCK G3 HIGH POWER LED RETROFIT MODULE



Microwave Motion Sensor

Setting

By selecting the combination on the DIP switch, sensor data can be precisely set for each specific application.

	1	
I	ON	100%
II	-	50%

Detection area

Detection area can be reduced by selecting the combination on the DIP switches to fit precisely each application.

	2	3	4	
I	ON	ON	ON	5S
II	-	ON	ON	30S
III	ON	-	ON	1min
IV	-	-	ON	3min
V	ON	ON	-	20min
VI	-	-	-	30min

Hold time

Refers to the time period the lamp remains at 100% illumination after no motion detected.

	1	2	3	
I	ON	ON	ON	0S
II	-	ON	ON	1min
III	ON	-	ON	3min
IV	-	-	ON	10min
V	ON	ON	-	30min
VI	-	-	-	+∞

Stand-by period

Refers to the time period the lamp remains at a low light level before it completely switches off in the long absence of people. When set to "+∞" mode, the low light is maintained until motion is detected.

	4	5	
I	ON	ON	10%
II	ON	-	20%
III	-	ON	30%
IV	-	-	50%

Stand-by dimming level

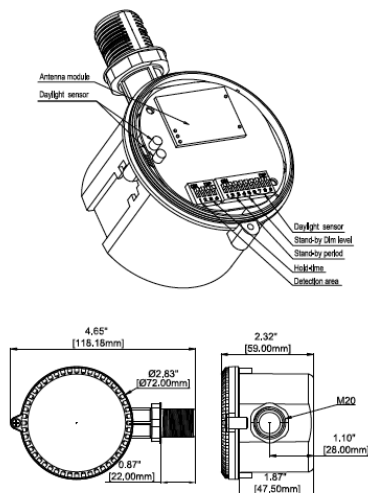
The low light level you would like to have after the hold time in the long absence of people.

	6	7	8	9	
I	ON	ON	ON	ON	5Lux
II	-	ON	ON	ON	15Lux
III	ON	-	ON	ON	30Lux
IV	-	-	ON	ON	50Lux
V	ON	ON	-	ON	100Lux
VI	ON	ON	ON	-	150Lux
VII	-	-	-	-	Disable

Daylight sensor

The sensor can be set to only allow the lamp to illuminate below a defined ambient brightness threshold.
When set to Disable mode, the daylight sensor will switch on the lamp when motion is detected regardless of ambient light level.
Note that daylight sensor is active only when lamp totally switches off.

Technical Parameters



Operating voltage	120~277Vac, 50/60Hz
Rated load	120Vac 4A electronic/magnetic ballast 277Vac 3A electronic/magnetic ballast
Power consumption	• • •
HF system	5.8GHz ± 75MHz, ISM wave band
Transmitting power	• • • • •
Detection area	5-8m (@mounting height 6m)
Detection sensitivity	25%/50%/75%/100%
Hold time	5s/30s/1min/3min/5min/10min/20min/30min
Daylight sensor	5lux/15lux/30lux/50lux/100lux/150lux/disable
Stand-by period	0s/10s/1min/3min/5min/10min/30min/+∞
Stand-by DIM level	10%/20%/30%/50%
Mounting height	6-15m
Motion detection	0.5-3m/s
Detection angle	150° (wall installation) 360° (ceiling installation)
Operating temperature	-25°C~ 55°C
IP rating	IP65